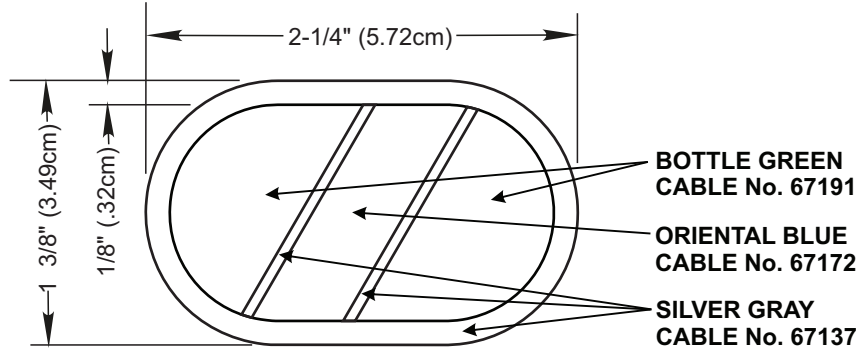


REVISIONS

SUPERSEDES TIOH DWG NO. A-6-339 DTD 7 APRIL 2017
FORMERLY 1ST SPECIAL FORCES COMMAND MILITARY INTELLIGENCE BN



DESIGNED FOR OVEREDGE STITCHING

DISTRIBUTION A. Approved for Public Release

EXAMINED	<i>TLC</i>		THE INSTITUTE OF HERALDRY, DEPARTMENT OF THE ARMY 9325 GUNSTON RD, RM S-113 FORT BELVOIR, VA 22060-5579
CHECKED	<i>CA</i>	<i>SAO</i>	
PREPARED	EOM		
APPROVED	MUGNO.CHARLES.V.1 MUGNO.CHARLE 020723374 S.V.1020723374 2020.01.13 17:00:32 -05'00' <hr/> CHARLES V. MUGNO DIRECTOR		BACKGROUND TRIMMING FOR 389TH MILITARY INTELLIGENCE BATTALION
MATERIALS: TO BE MANUFACTURED IN ACCORDANCE WITH MIL-DTL-14652			SIZE CONTROL IDENT. NO A 22571
			A-6-339
			SCALE FULL